



US00D815844S

(12) **United States Design Patent**
Schoonover

(10) **Patent No.:** **US D815,844 S**

(45) **Date of Patent:** **** Apr. 24, 2018**

(54) **RINSE HANGER**

(71) Applicant: **Reeflection, LLC**, Vista, CA (US)

(72) Inventor: **Joshua S. Schoonover**, Carlsbad, CA (US)

(73) Assignee: **REEFLECTION, LLC**, Carlsbad, CA (US)

(**) Term: **15 Years**

(21) Appl. No.: **29/561,752**

(22) Filed: **Apr. 19, 2016**

Related U.S. Application Data

(63) Continuation-in-part of application No. 14/940,080, filed on Nov. 12, 2015.

(51) **LOC (11) Cl.** **06-08**

(52) **U.S. Cl.**

USPC **D6/315; D32/35**

(58) **Field of Classification Search**

USPC D6/315-328; 223/85-98; 211/10, 13.1, 211/85.3, 86.01, 87.01, 113, 119

CPC A47G 25/28; A47G 25/38; A47G 25/14; A47G 25/442; A47G 25/483; A47G 25/485; A47G 25/4023; Y10S 223/04; A47F 5/0006

See application file for complete search history.

(56) **References Cited**

U.S. PATENT DOCUMENTS

D143,020	S	*	11/1945	Melford	223/92
2,394,879	A	*	2/1946	Snook	A47G 25/487
						223/96
2,426,292	A	*	8/1947	Appleman	A47G 25/32
						223/90
2,452,346	A	*	10/1948	Appleman	A47G 25/443
						223/90

2,546,600	A	*	3/1951	Holden	A47G 25/743
						211/45
D185,716	S	*	7/1959	Nalle	223/96
2,939,588	A	*	6/1960	Nalle, Jr.	A47G 25/485
						211/113
3,207,392	A	*	9/1965	Ericson	A47G 25/28
						223/85
3,603,491	A	*	9/1971	Weight	A47G 25/487
						223/96
D233,813	S	*	12/1974	Shyffer	D6/315
D279,527	S	*	7/1985	Peterson	D6/326
D280,144	S	*	8/1985	Cooney	D32/35
D318,377	S	*	7/1991	Ropeter	D6/315
D355,980	S	*	3/1995	Dallaire	D6/318
D365,448	S	*	12/1995	Travis	D6/315
D383,883	S	*	9/1997	Langley	D23/214
D426,924	S	*	6/2000	Joiner	D32/35
8,381,413	B2	*	2/2013	Smith	F26B 25/18
						211/116
9,492,025	B1	*	11/2016	Wu	A47G 25/18

(Continued)

Primary Examiner — Derrick Holland

Assistant Examiner — Lauren Calve

(74) *Attorney, Agent, or Firm* — Coastal Patent Law Group, P.C.

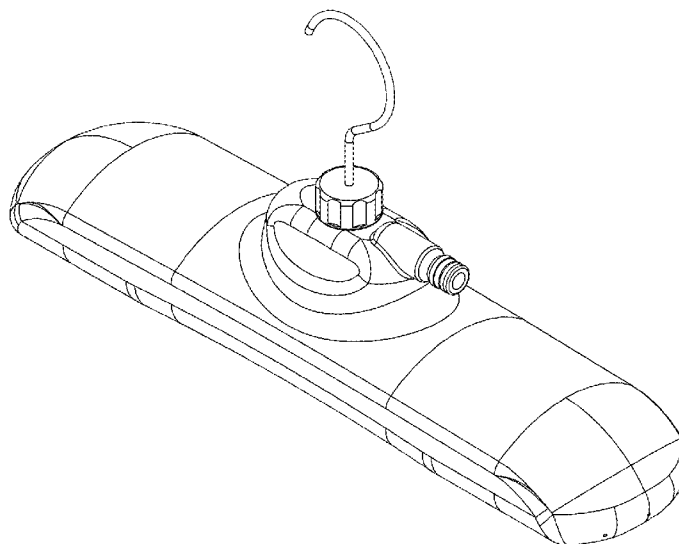
(57) **CLAIM**

I claim the ornamental design for a rinse hanger, as shown and described.

DESCRIPTION

FIG. 1 is a front perspective view of a rinse hanger;
 FIG. 2 is a front view thereof;
 FIG. 3 is a rear view thereof;
 FIG. 4 is a right side view thereof;
 FIG. 5 is a left side view thereof;
 FIG. 6 is a top plan view thereof; and,
 FIG. 7 is a bottom plan view thereof.
 The broken lines shown represent unclaimed subject matter and form no part of the claimed design.

1 Claim, 3 Drawing Sheets



(56)

References Cited

U.S. PATENT DOCUMENTS

2007/0272717 A1* 11/2007 Sturione A47G 25/743
223/85
2016/0066730 A1* 3/2016 Schoonover A47G 25/20
223/85
2016/0081507 A1* 3/2016 Hall A47G 25/28
223/85

* cited by examiner

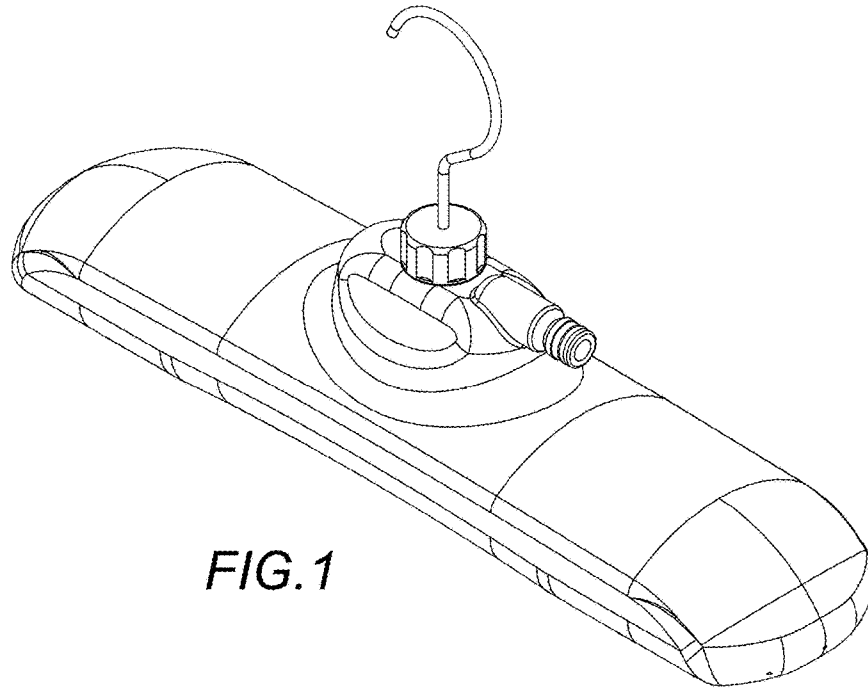


FIG. 1

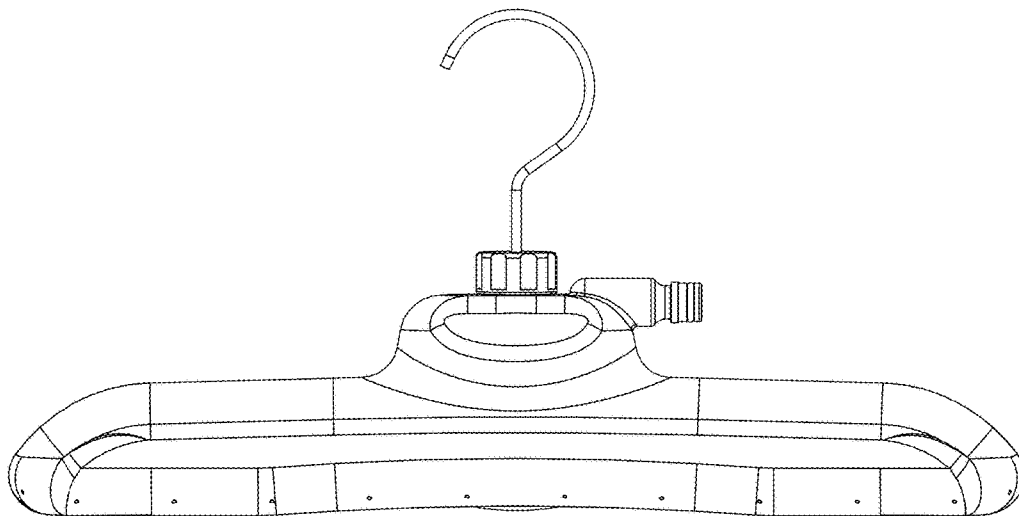


FIG. 2

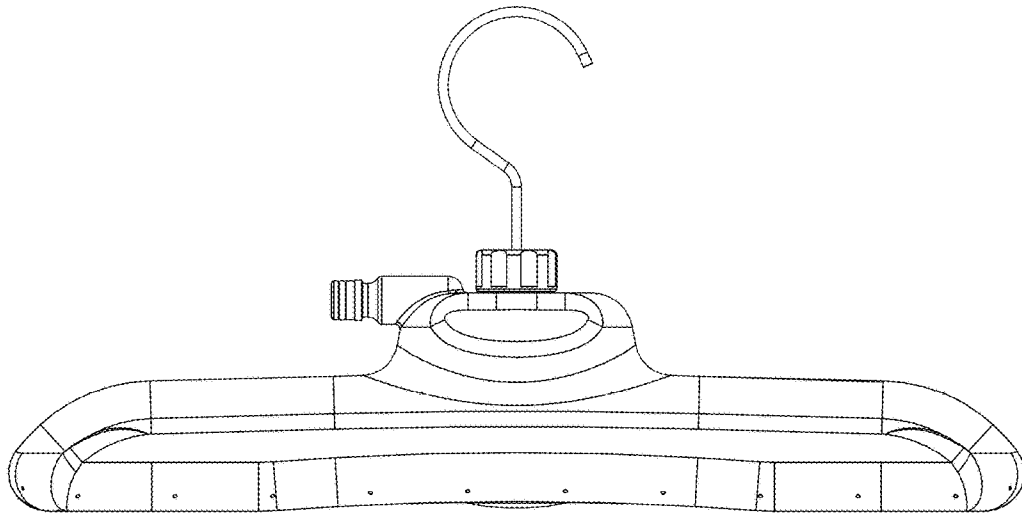


FIG. 3

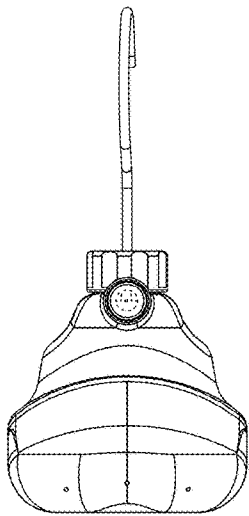


FIG. 4

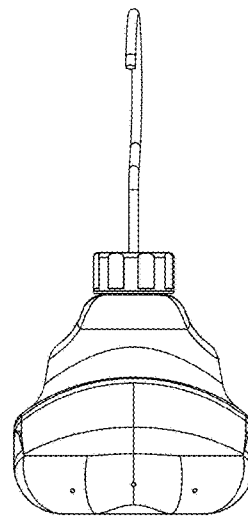


FIG. 5

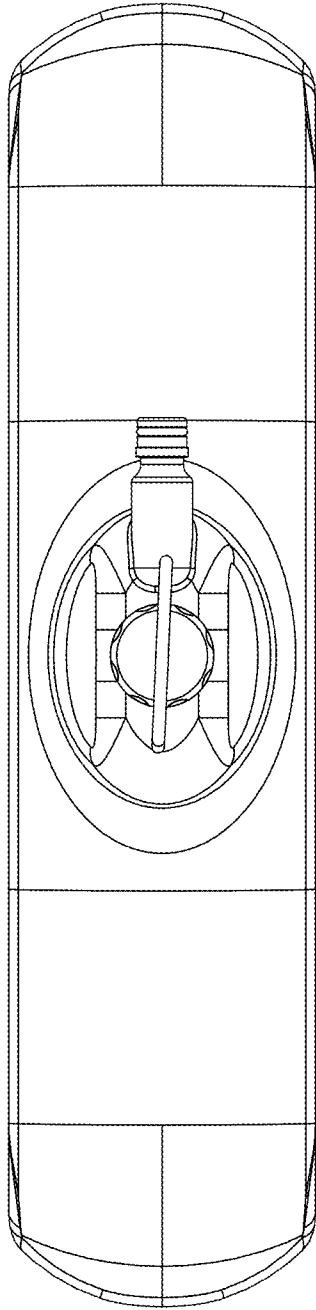


FIG. 6

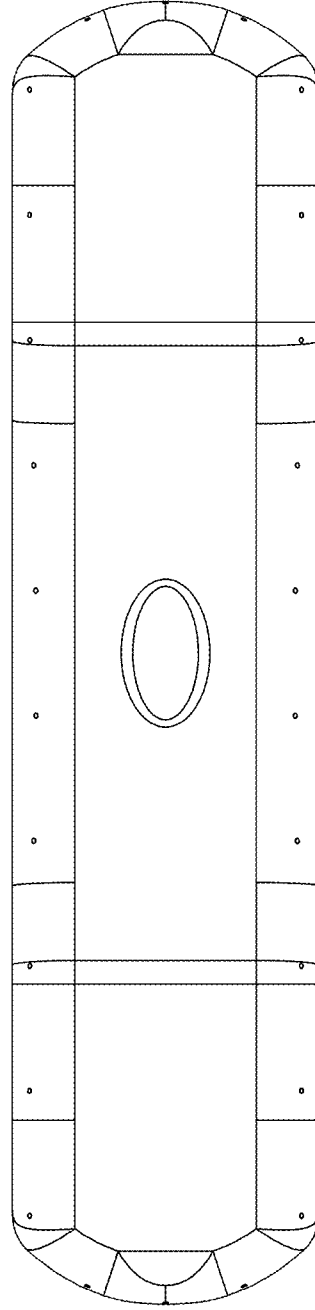


FIG. 7